

auto electrical parts

Technical Information Sheet

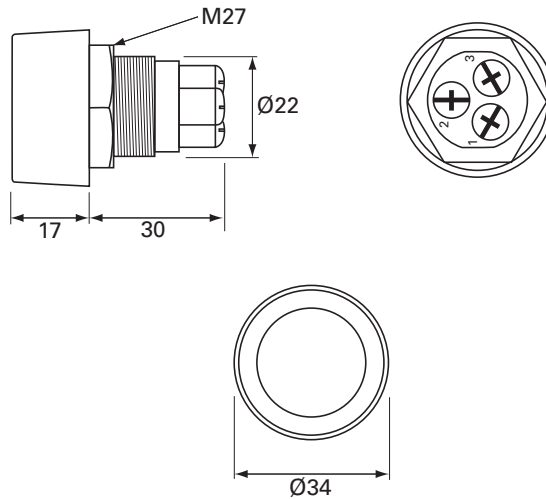
Part No. 0-485-05

Momentary on, single pole, push button switch, 12 volt red LED illumination. Screw terminals. 22mm panel hole. 20 amp at 12 volts dc rating



TERMS	0	1
1-2		■
1-3	■	

Technical Drawing (not to scale)



Specification

Type	Momentary on, single pole push button switch
Voltage	12 volt dc
Current intermittent @ 12 volts	20 amp
Illumination	Red LED
Terminals	4mm screw
Panel cut out	22mm
Panel depth	8.0mm max
Dimensions	See diagram
Weight	28g

The information contained in this document is correct to the best of our knowledge at the time of printing. However, specifications may change at any time without notice.